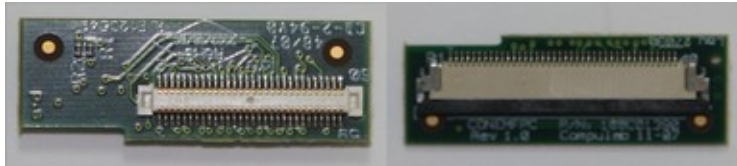



CONEMFPC rev 1.0

PAGE	FUNCTION
01	INDEX
02	CONEMFPC

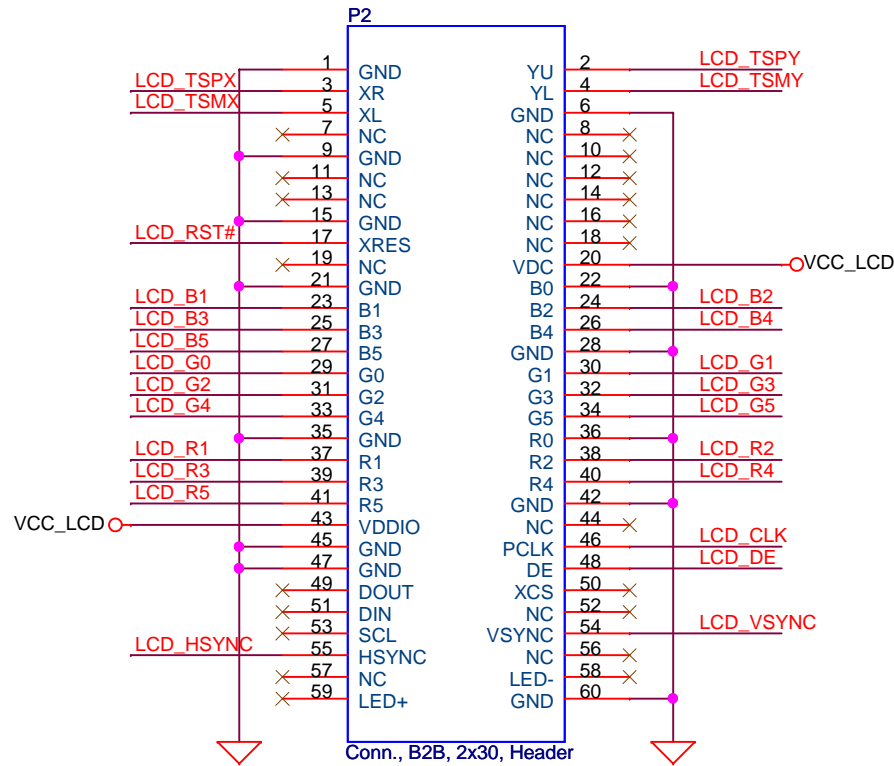


ZZ1
PARSER_VERSION_1.0

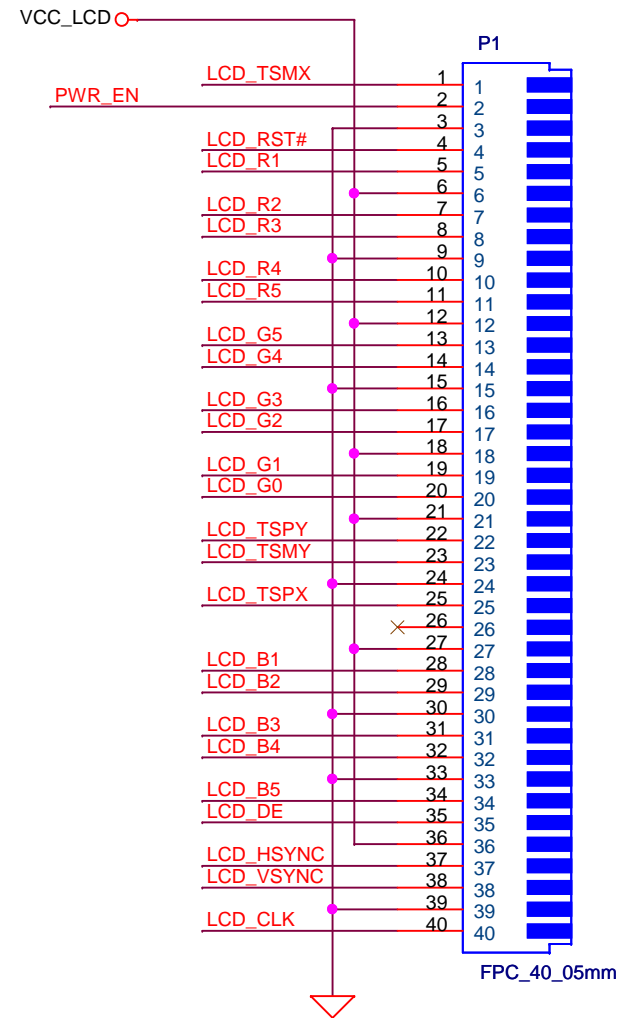
PCB1
PCB, CONEMFPC Rev 1.0

		CompuLab Ltd. (972) 4 8290100 P.O.Box 66 Nesher 36770, Israel All Right reserved. Unauthorized duplication prohibited
Size A	Title CONEMFPC 01. Cover	Rev 1.0
Date: Tuesday, November 13, 2007		Sheet 1 of 2

LCD connector



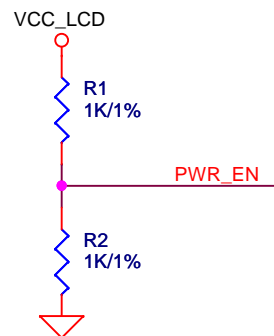
FPC connector



Power enable options

Assemble R1 only if the internal VCC_LCD is used to power the LDC.

Assemble R2 when external power is supplied to power the LCD.



CompuLab Ltd. (972) 4 8290100
P.O.Box 66
Nesher 36770, Israel
All Right reserved.
Unauthorized duplication prohibited

Size A	Title CONEMFPC	Rev 1.0
Document Number: 8004272000		
Date: Tuesday, November 13, 2007	Sheet 2 of 2	