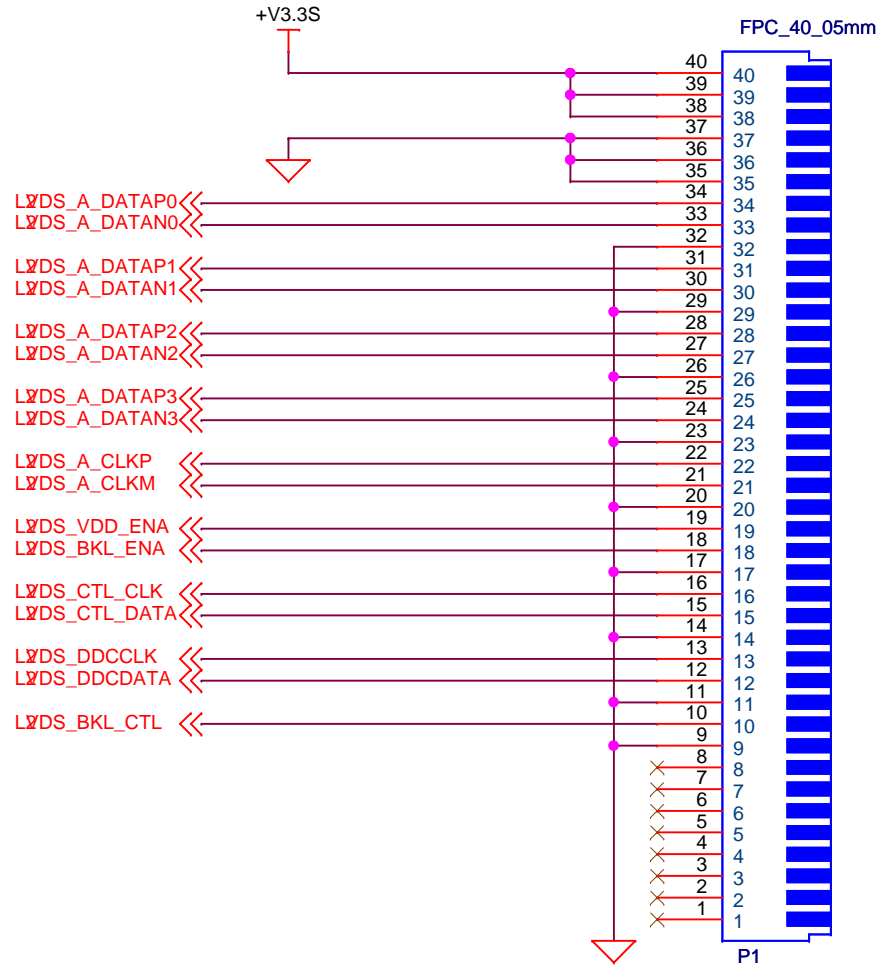

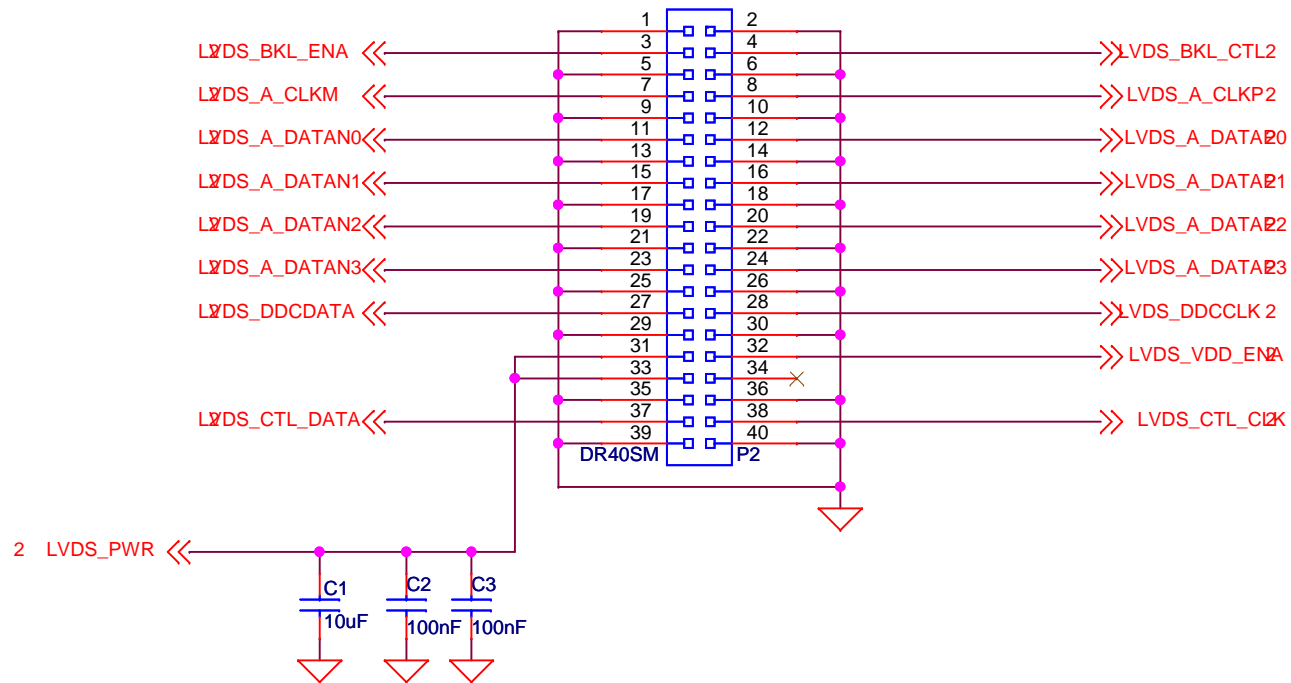


FOOTPRINT MIRRORED IN COMPARISON TO THE SBC-FITPC2i BECAUSE OF THE FPC




		CompuLab Ltd. (972) 4 8290100 P.O.Box 66 Nesher 36770, Israel All Right reserved. Unauthorized duplication prohibited	
		Size A	Title LVDS ADAPTER - INPUT CONNECTOR
Date: Tuesday, May 25, 2010		Document Number: 8005536002	Sheet 1 of 3

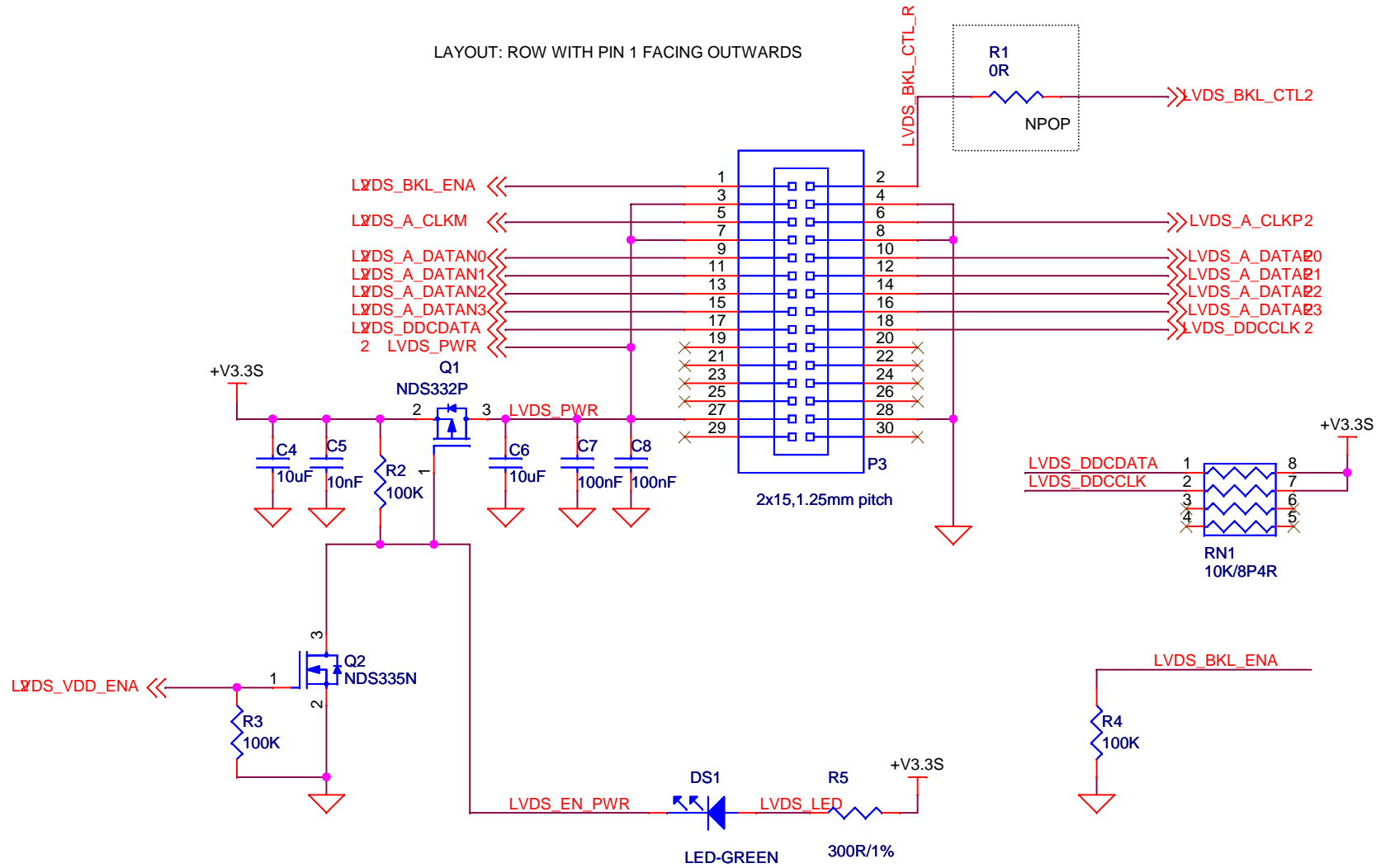



ZZ1
 P/N = 188Z10030
 PARSEr_VERSION_1.0

PCB1
 fitLVDS rev 1.0

		CompuLab Ltd. (972) 4 8290100 P.O.Box 66 Nesher 36770, Israel All Right reserved. Unauthorized duplication prohibited	
		Size A	Title LVDS ADAPTER - 100 MIL HEADER Document Number: 8005536002
Date: Tuesday, May 25, 2010		Sheet 2 of 3	1

LAYOUT: ROW WITH PIN 1 FACING OUTWARDS



		CompuLab Ltd. (972) 4 8290100 P.O.Box 66 Neshar 36770, Israel All Right reserved. Unauthorized duplication prohibited	
		Size A	Title LVDS ADAPTER - ANDERS CONNECTOR
Date: Tuesday, May 25, 2010		Document Number: 8005536002	Sheet 3 of 3