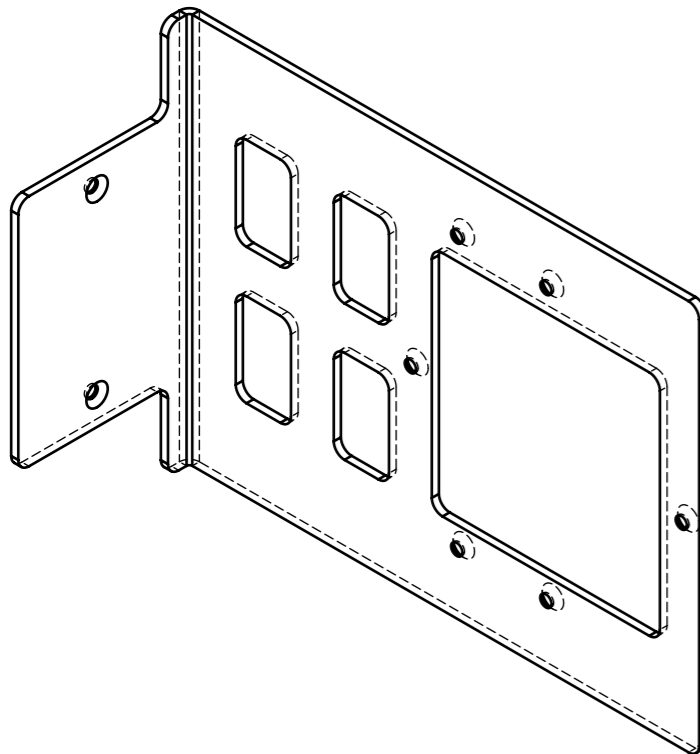
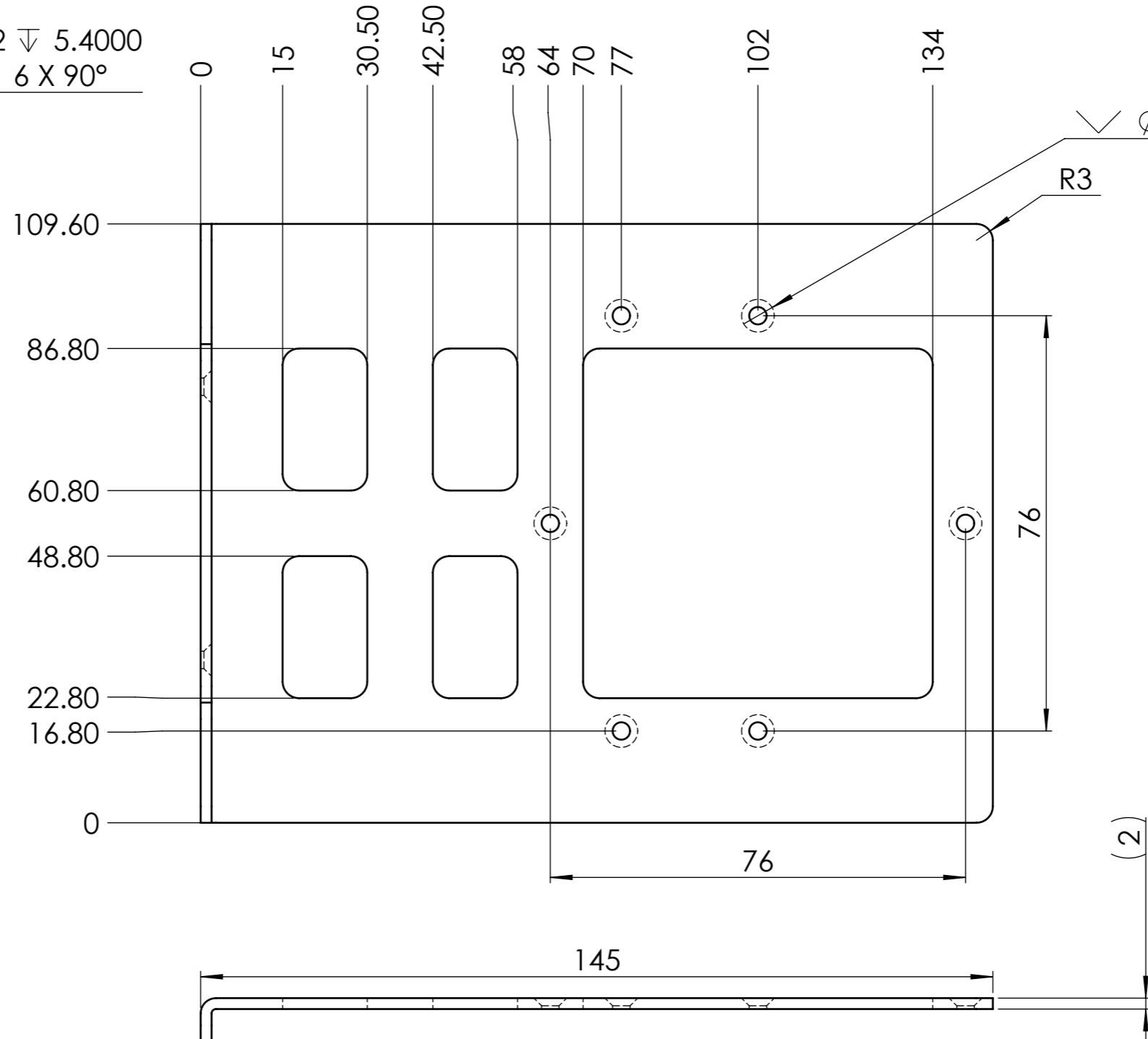
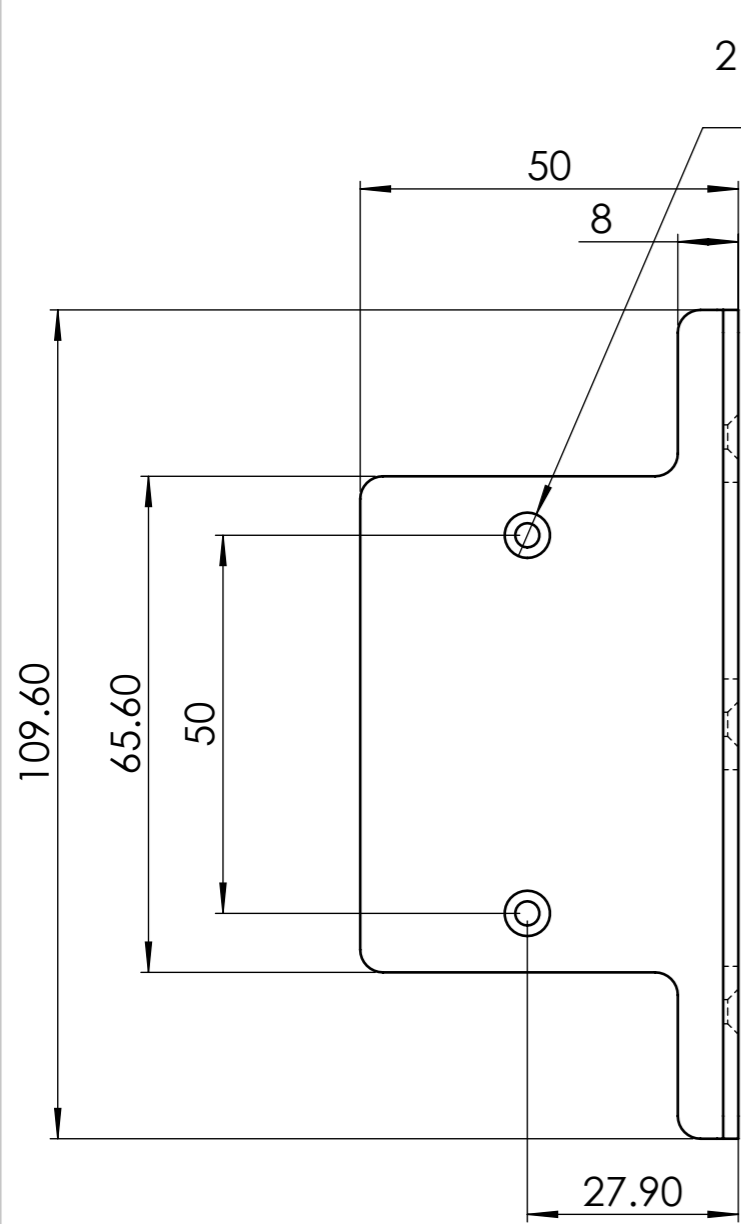




REV.	DESCRIPTION	DATE	APPROVED
1.0	RELEASED FOR PRODUCTION	17-02-21	



NOTES:

- ENVIRONMENTAL : ALL MATERIALS AND SURFACE FINISHES SHOULD COMPLY WITH RoHS2 DIRECTIVE.
- THIS PRODUCT SHOULD COMPLY TO RoHS2 DIRECTIVE (2011/65/EU).
- REMOVE AND DEBURR SHARP EDGES
- MATERIAL: ALUMINIUM 5052 thk. 2.0mm
- FINISH: BLACK ANODIZE

UNLESS OTHERWISE SPECIFIED DIMENSIONS ARE IN mm	PROJECT: IOT-GATE			17 Hayetsira St. Yokneam Illit, Israel Tel: +972-48-290-100 Fax: +972-48-325-251 www.fit-iot.com email:mechanical@fit-iot.com			
	USE DIMENSIONS ONLY- DO NOT SCALE REFER TO 3D MODEL	DWG	Ilan B	17-02-21	 Mounting bracket, For IOT-GATE products, L=145mm		
GENERAL TOLERANCE:	DSGN	Ilan B	17-02-21	TITLE			
	CHKD	YUVAL S	17-02-21				
LINEAR: ±0.2 RADIUS: ±0.1 ANGLES: ±0.5° BTWN HOLE CENTERS ±0.1	APPVD	YUVAL S	17-02-21	SCALE	SIZE	DRAWING / P.N.	REV
1st. ANGLE PROJECTION 	SCALE	1:1	A3	206F10120	1.0		
PATH:	SHEET 1 OF 1						